

1

2

3

4

5

6

A

A

B

B

C

C

D

D

PBA-D-05 reel board

Copyright 2018 PHYTEC TECHNOLOGIE HOLDING AG

INFORMATION IN THIS DOCUMENT IS PROVIDED SOLELY FOR USE IN CONJUNCTION WITH THE PHYTEC PRODUCT DESCRIBED HEREIN. NO INTELLECTUAL PROPERTY RIGHTS -- EXPRESS OR IMPLIED -- ARE GRANTED THROUGH THIS DOCUMENT. LIKEWISE, PHYTEC MAKES NO EXPRESS OR IMPLIED WARRANTIES OF ANY KIND, WHETHER AS TO MANUFACTURABILITY; MERCHANTABILITY; FITNESS FOR A PARTICULAR PURPOSE; OR INFRINGEMENT OF ANY PATENT, COPYRIGHT OR OTHER INTELLECTUAL PROPERTY RIGHT. SPECIFICATIONS HEREIN ARE SUBJECT TO CHANGE AT ANY TIME WITHOUT NOTICE.

PHYTEC		PHYTEC Messtechnik GmbH Robert-Koch-Strasse 39 D-55129 Mainz	
Project: reel board		Department : F&E Author: Johann Fischer	
03.09.2018	PCB-No.: 1507.1	Revision : 001	Sheet 1 of 6

1

2

3

4

5

6

1

2

3

4

5

6

A

A

B

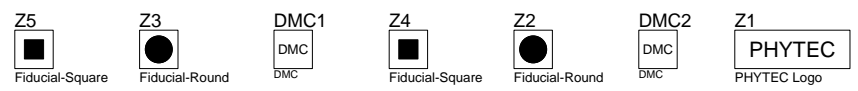
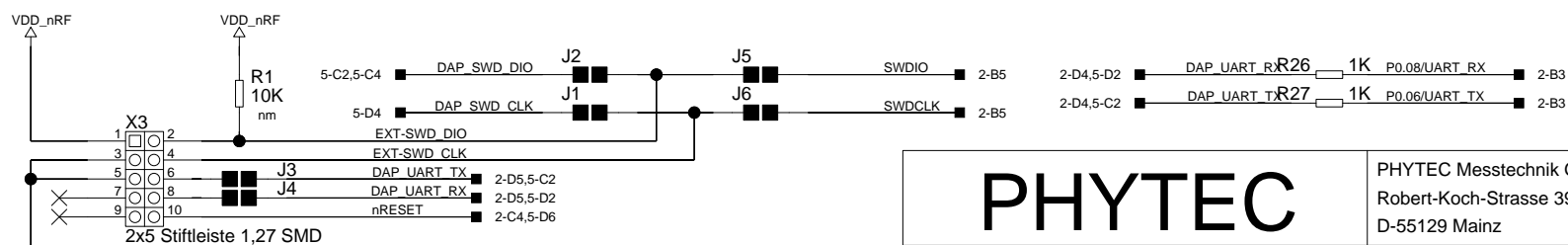
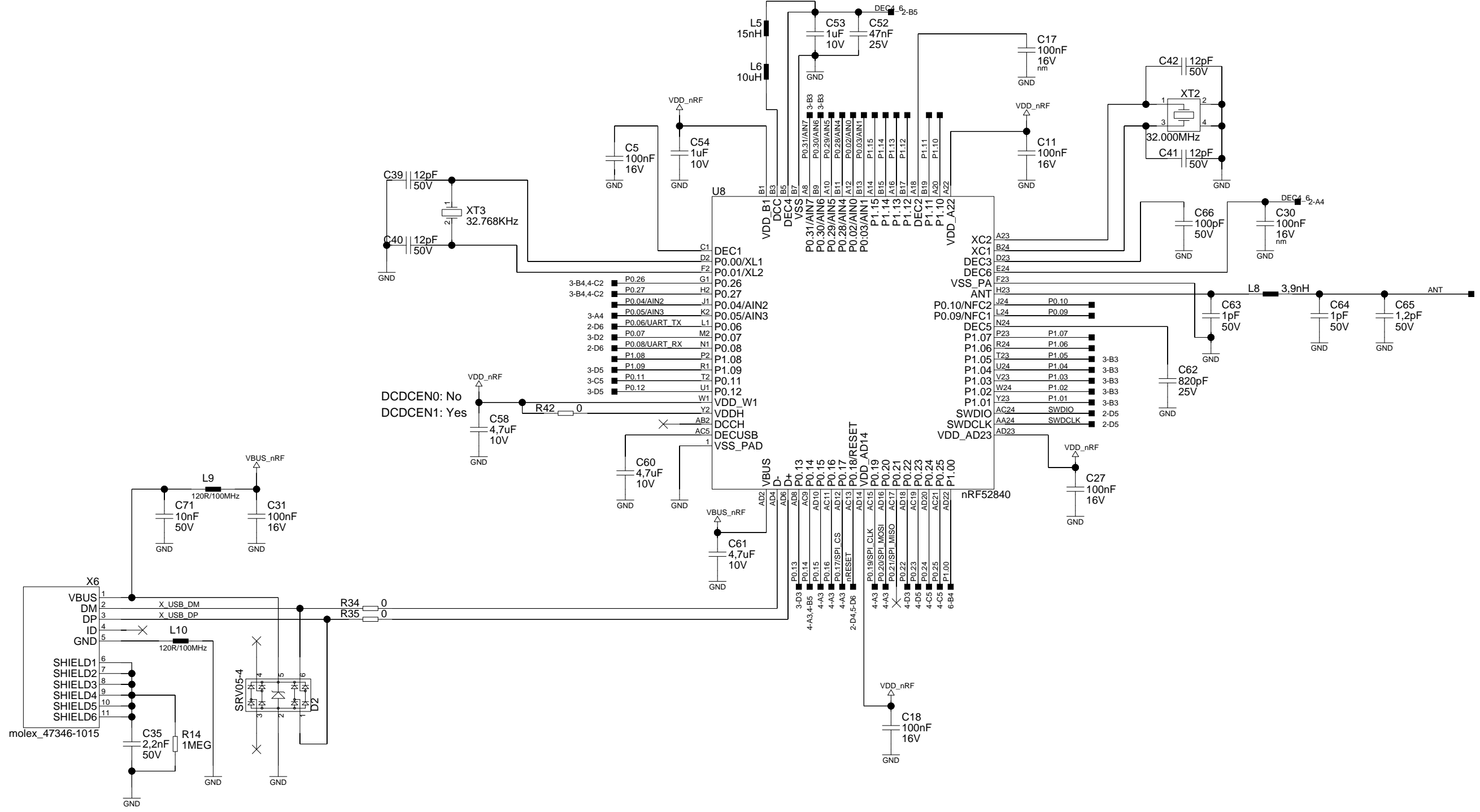
B

C

C

D

D



<h1>PHYTEC</h1>		PHYTEC Messtechnik GmbH	
		Robert-Koch-Strasse 39 D-55129 Mainz	
Project: reel board		Department: F&E	
03.09.2018		Author: Johann Fischer	
PCB-No.: 1507.1		Revision: 001	
		Sheet 2 of 6	

1

2

3

4

5

6

1

2

3

4

5

6

A

A

B

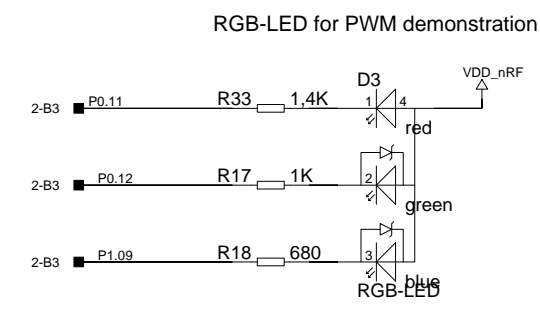
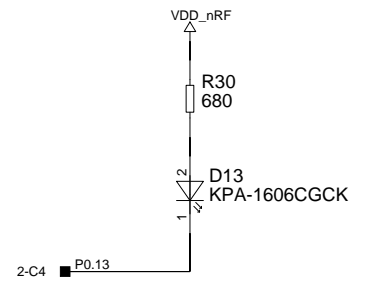
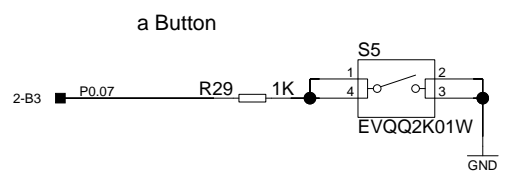
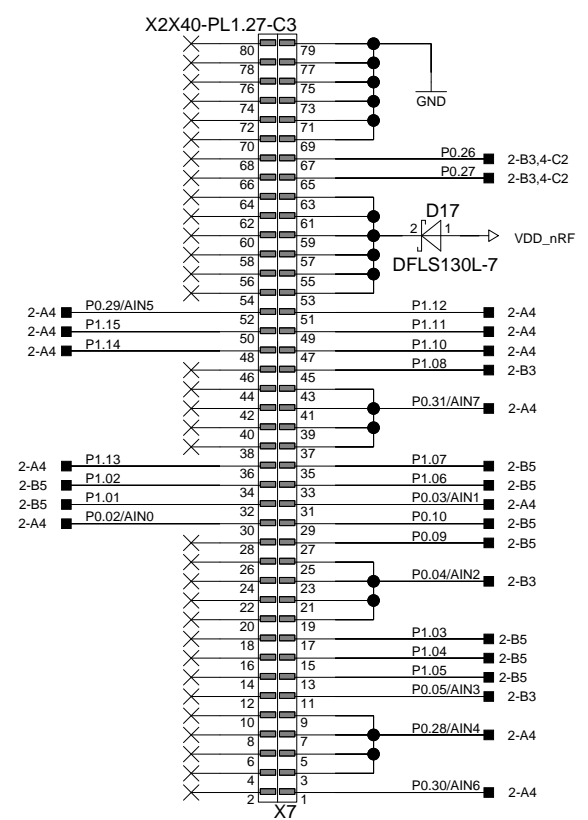
B

C

C

D

D



<h1>PHYTEC</h1>		PHYTEC Messtechnik GmbH Robert-Koch-Strasse 39 D-55129 Mainz	
Project: reel board		Department : F&E Author: Johann Fischer	
03.09.2018	PCB-No.: 1507.1	Revision : 001	Sheet 3 of 6

1

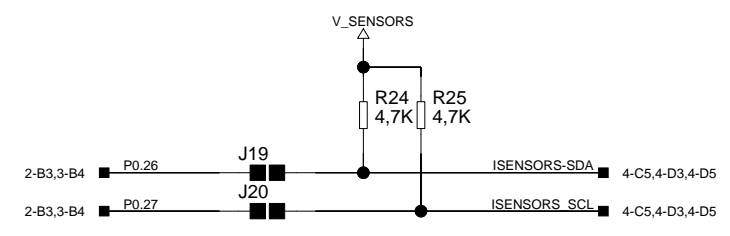
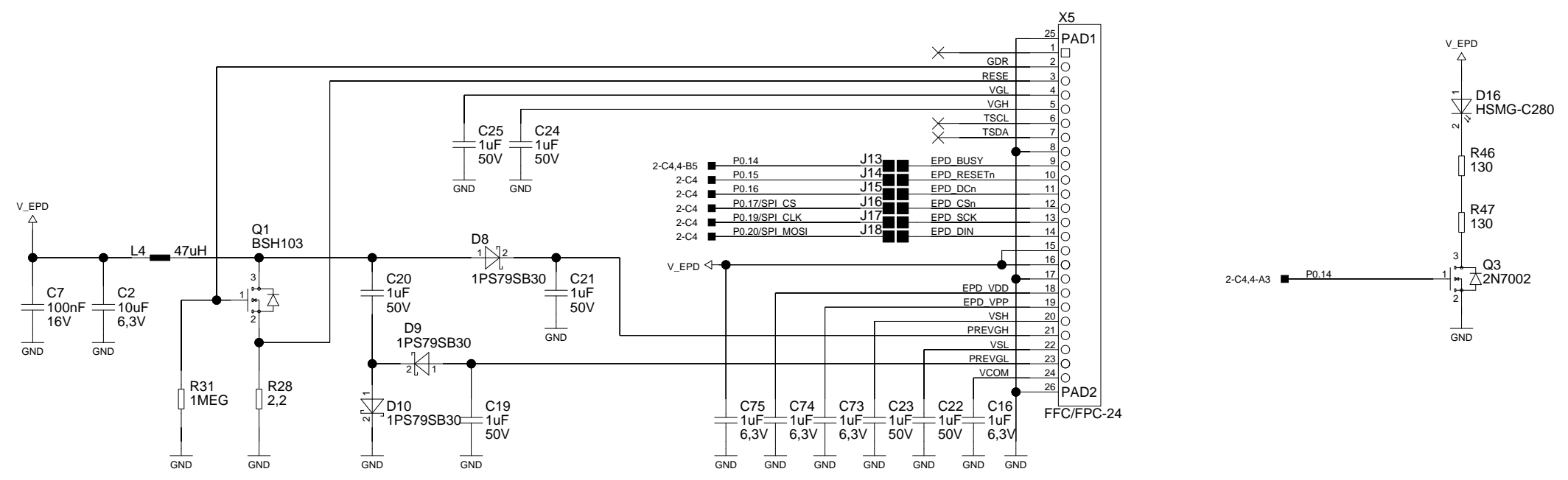
2

3

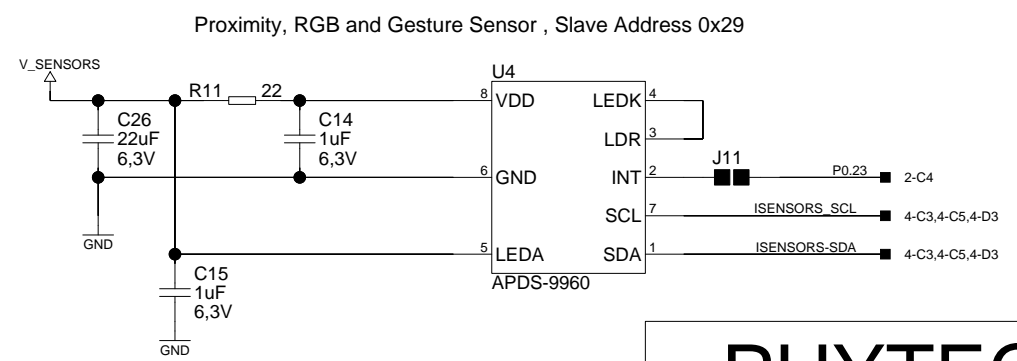
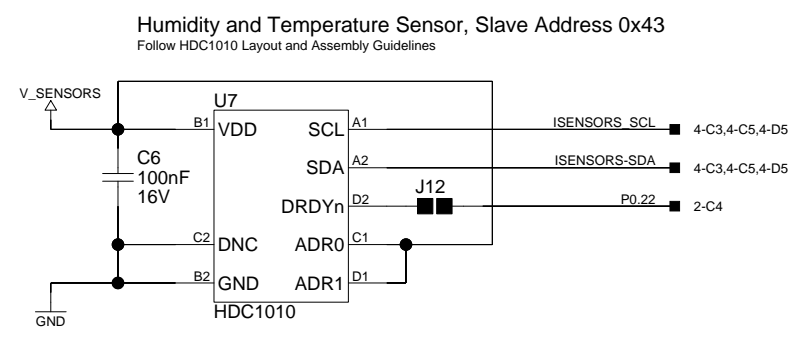
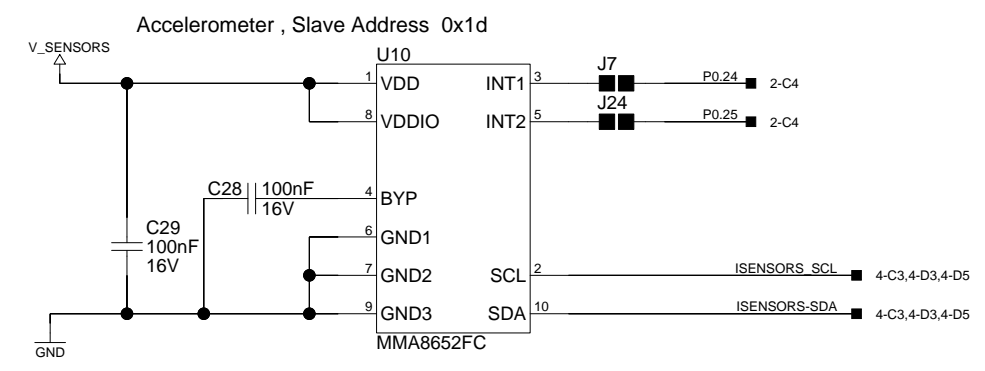
4

5

6

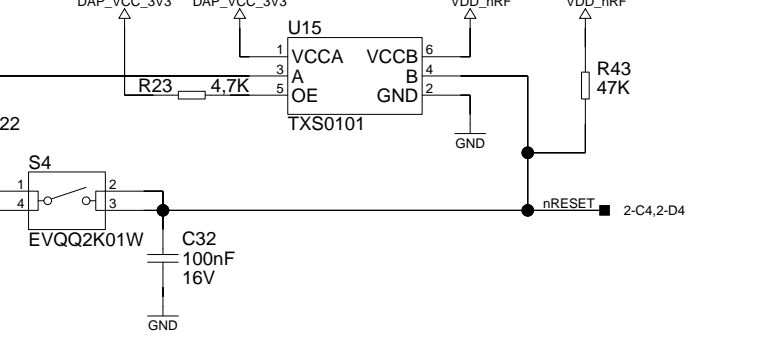
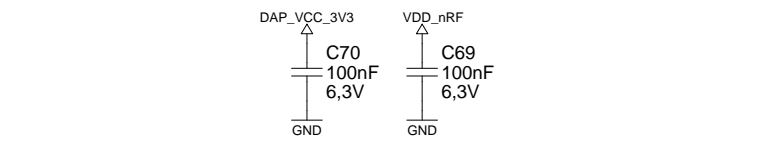
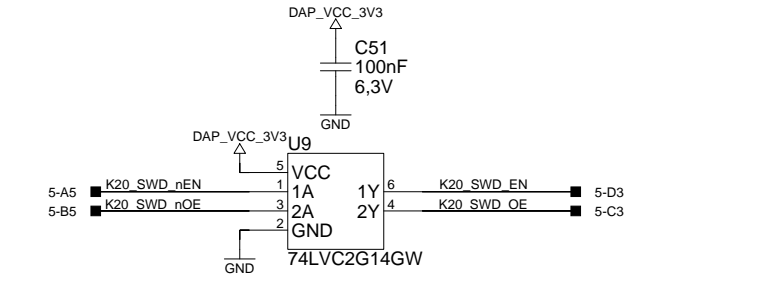
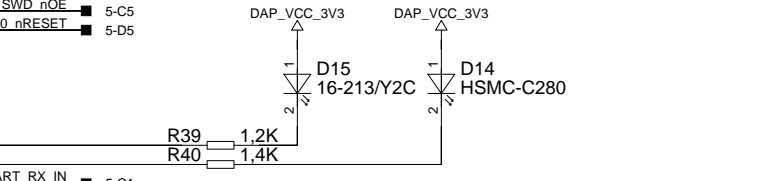
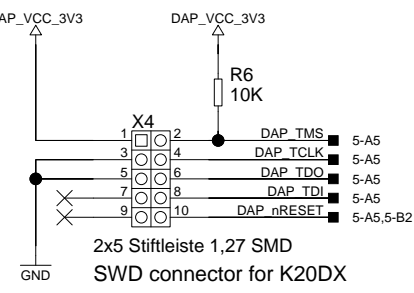
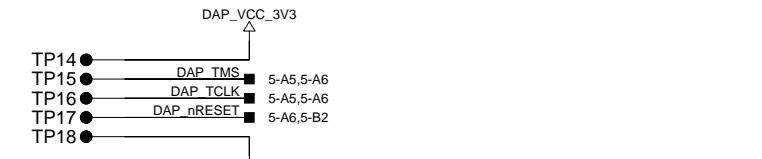
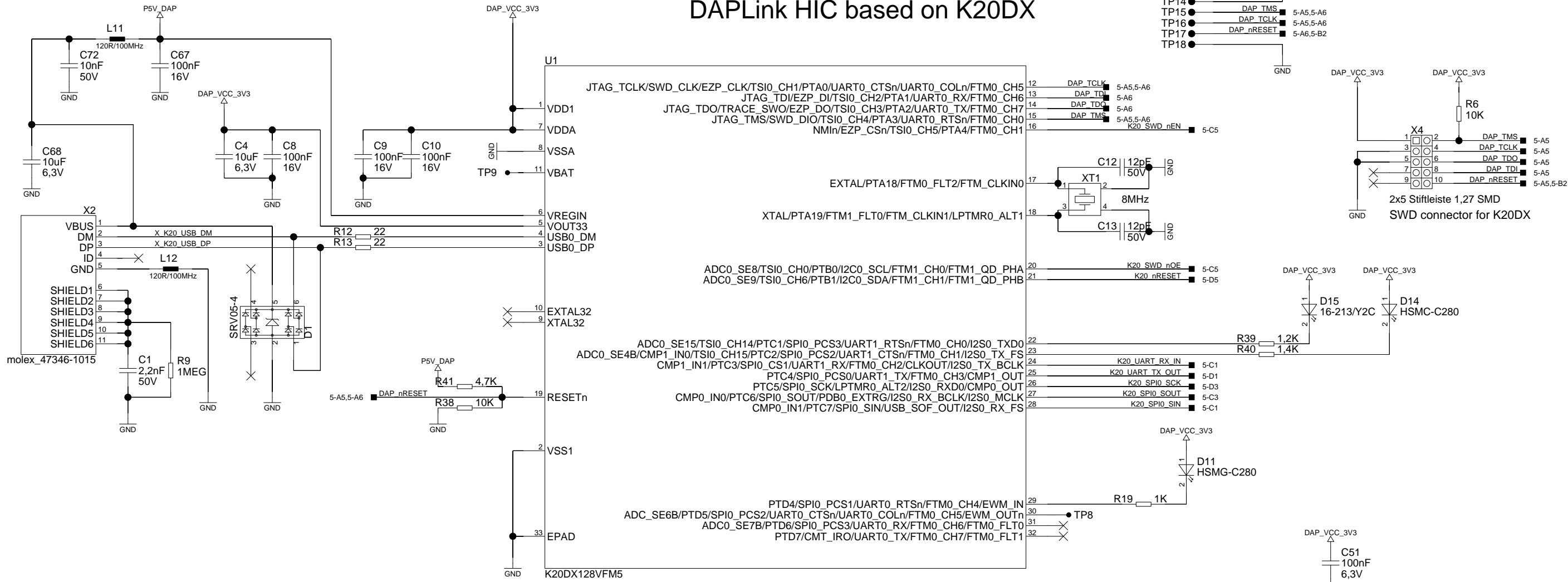


Cut J19 and J20 to disconnect HDC1010 and APDS-9960 from the I2C bus.



PHYTEC		PHYTEC Messtechnik GmbH Robert-Koch-Strasse 39 D-55129 Mainz	
		Project: reel board	Department: F&E Author: Johann Fischer
03.09.2018	PCB-No.: 1507.1	Revision: 001	Sheet 4 of 6

DAPLink HIC based on K20DX



PHYTEC		PHYTEC Messtechnik GmbH Robert-Koch-Strasse 39 D-55129 Mainz	
		Department: F&E Author: Johann Fischer	
Project:	reel board		Revision: 001
03.09.2018	PCB-No.: 1507.1	Sheet 5	of 6

A

A

B

B

C

C

D

D

1

2

3

4

5

6

1

2

3

4

5

6

A

A

B

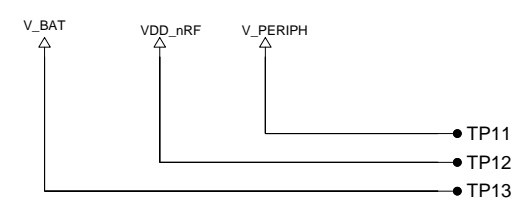
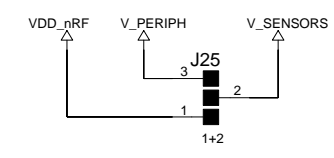
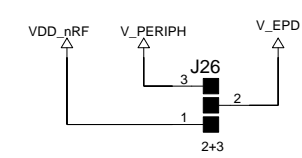
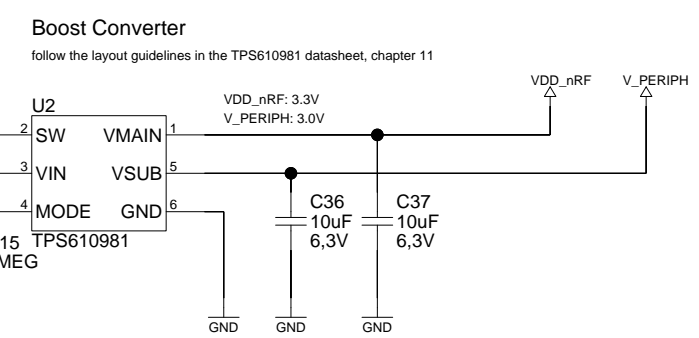
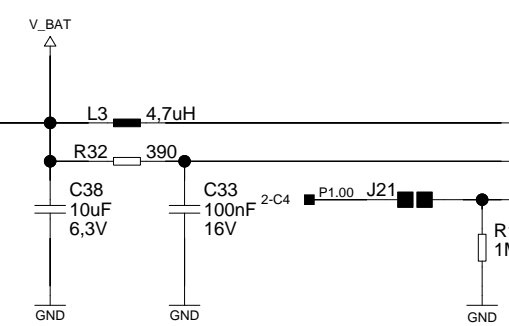
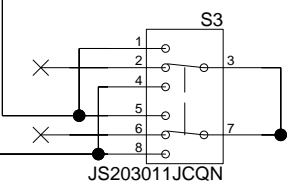
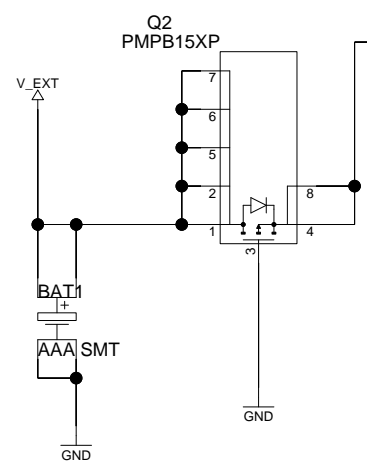
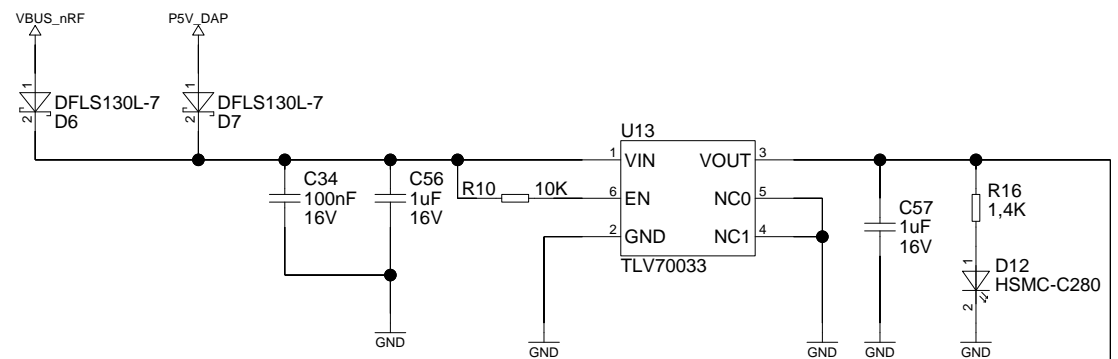
B

C

C

D

D



Place together and label

<h1>PHYTEC</h1>		PHYTEC Messtechnik GmbH Robert-Koch-Strasse 39 D-55129 Mainz	
Project:	reel board		Department: F&E Author: Johann Fischer
03.09.2018	PCB-No.: 1507.1	Revision: 001	Sheet 6 of 6

1

2

3

4

5

6